

Original
language
English

SMS MEDIA CABINET INDOOR WALL

Installation and Adjustment Manual

- DE Handbuch für Installation und Anpassung
- IT Manuale per l'installazione e la regolazione
- ES Manual de instalación y ajuste
- FI Asennus- ja säätöohje
- FR Manuel d'installation et de réglage
- NL Handboek voor installatie en instellingen
- PL Instrukcja instalacji i konfiguracji
- RUS Инструкция по установке и регулировке
- ARB والتكـوين التثبيـت حول إرشادات
- SE Monterings- och justeringsmanual
- GR Εγχειρίδιο εγκατάστασης και ρύθμισης

Assembly Instructions

You will need

12 mm.

List of parts

40" Cabinet /
46" Cabinet /
55" Cabinet

ADDITIONAL ITEM

Vesa Bar 400
(for 46" display)

OR

Vesa Bar 600
(for 55" display)

OR

Vesa Bar 200
(for 40" display)

Screw Kit (with Vesa Bars)

Screw List

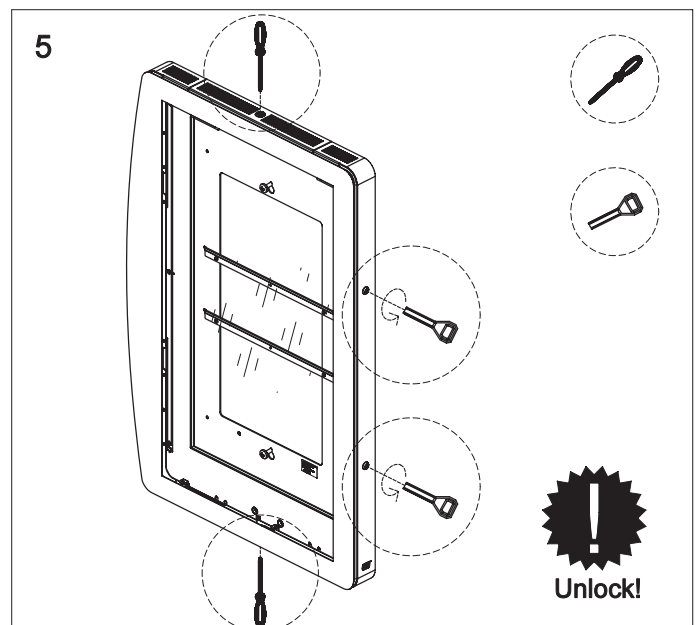
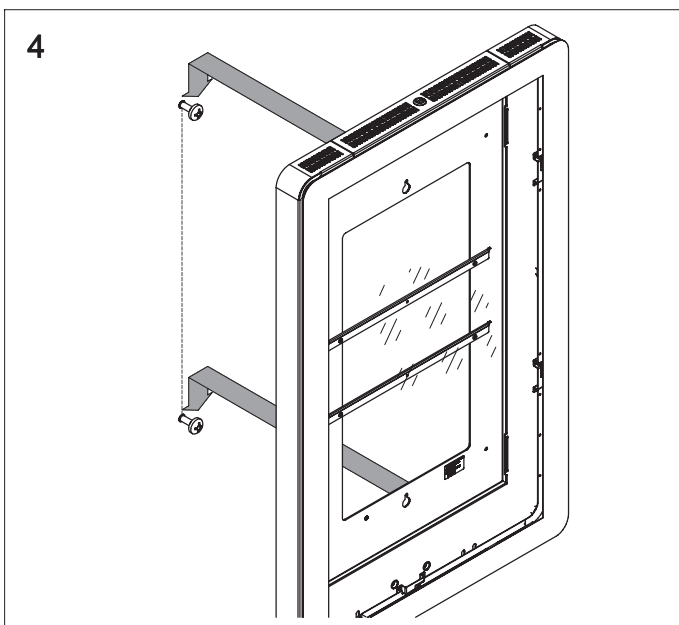
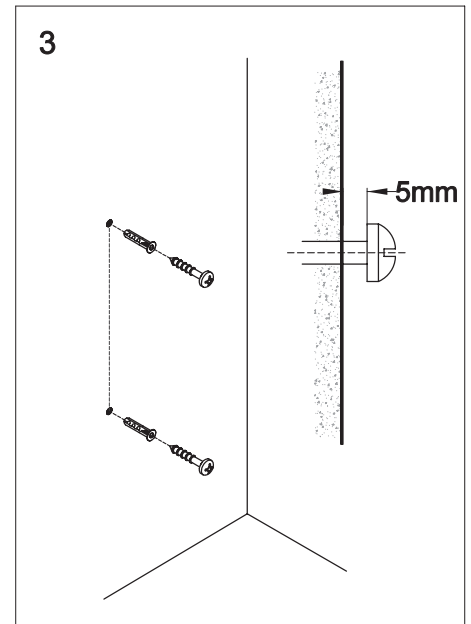
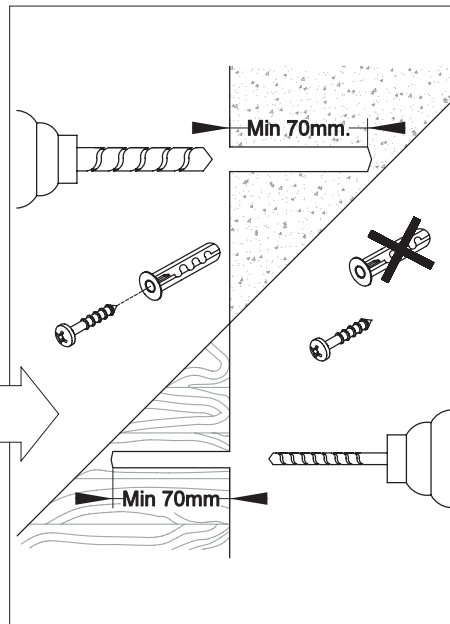
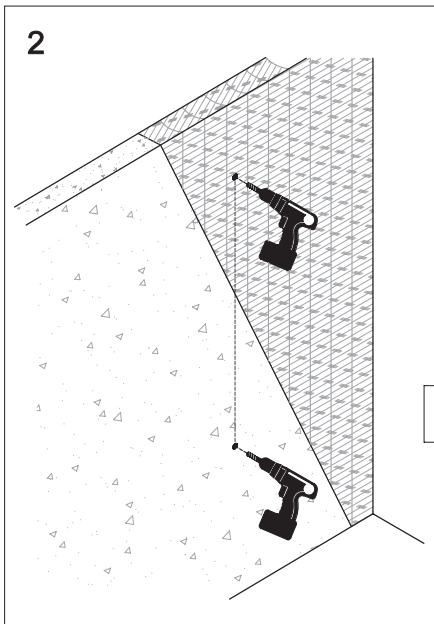
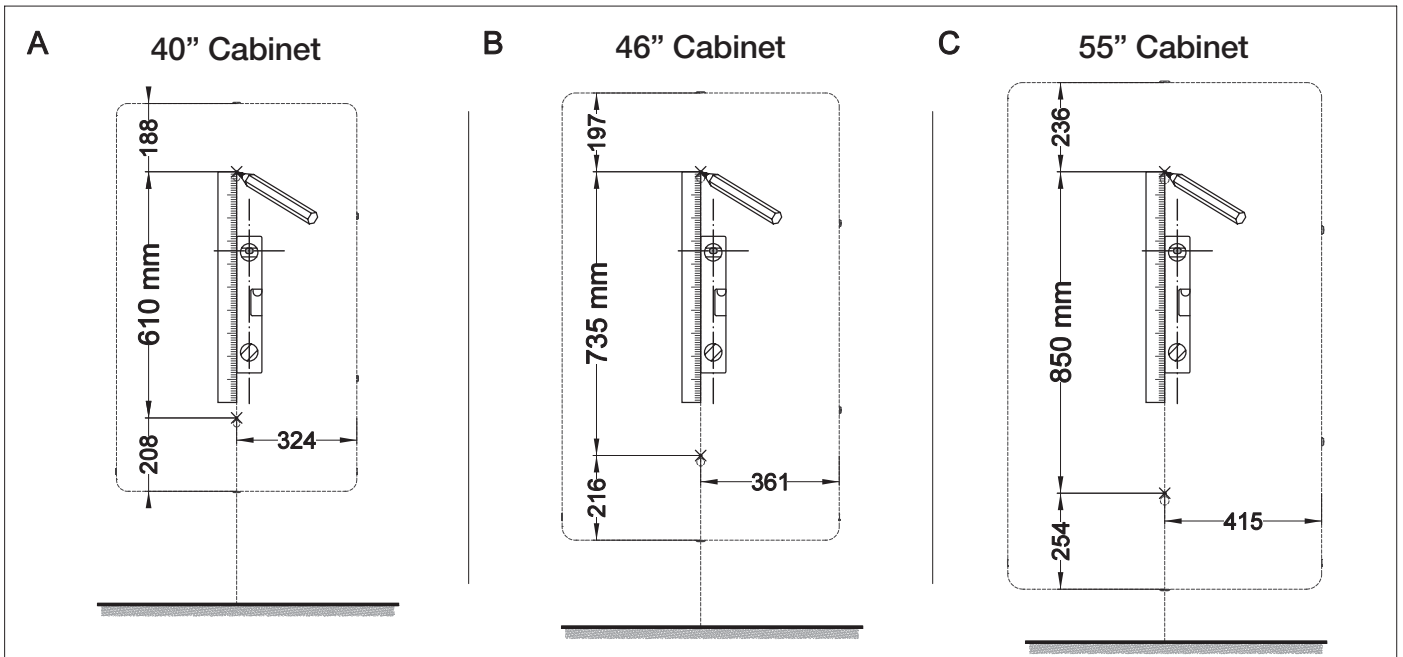
K1		Screw M6x12	x4
K2		Screw M8x12	x4
K3		Screw M6x20	x4
K4		Screw M8x40	x4
K5		Washer	x4
K6		Distance Washer	x4

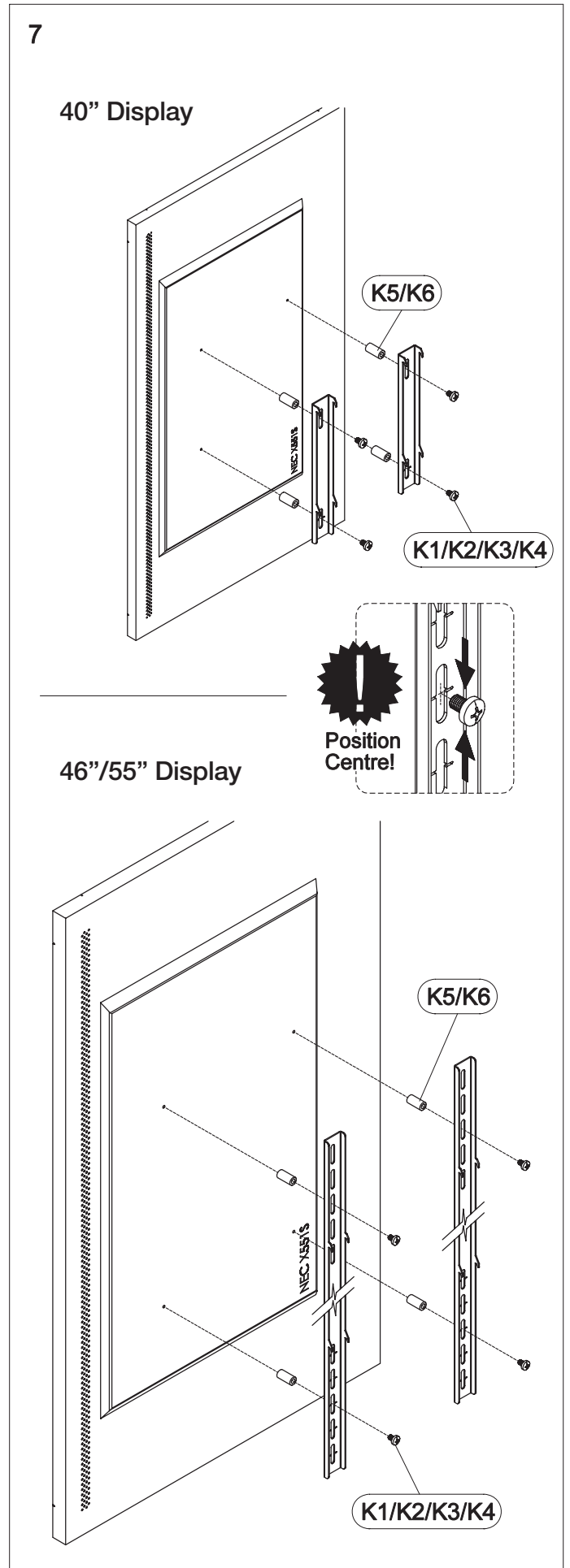
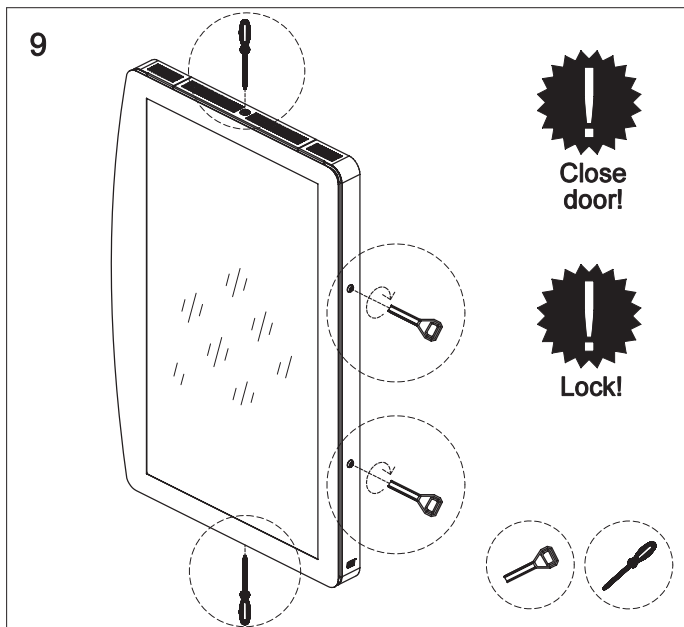
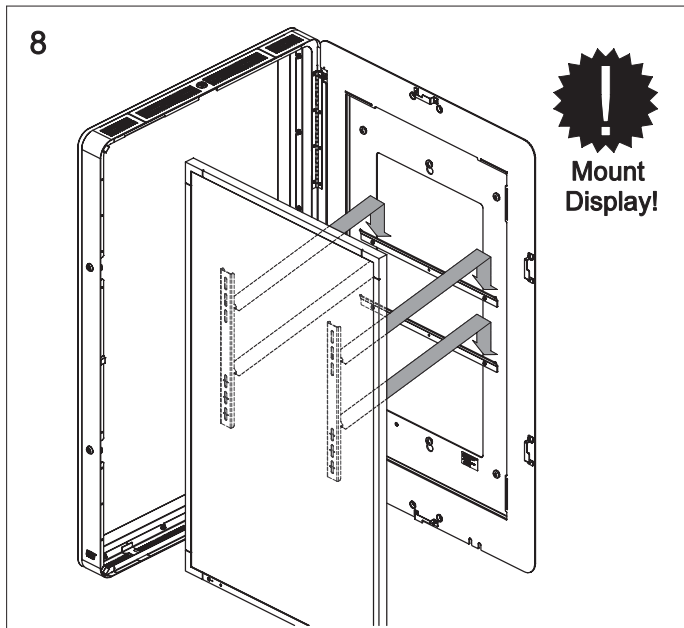
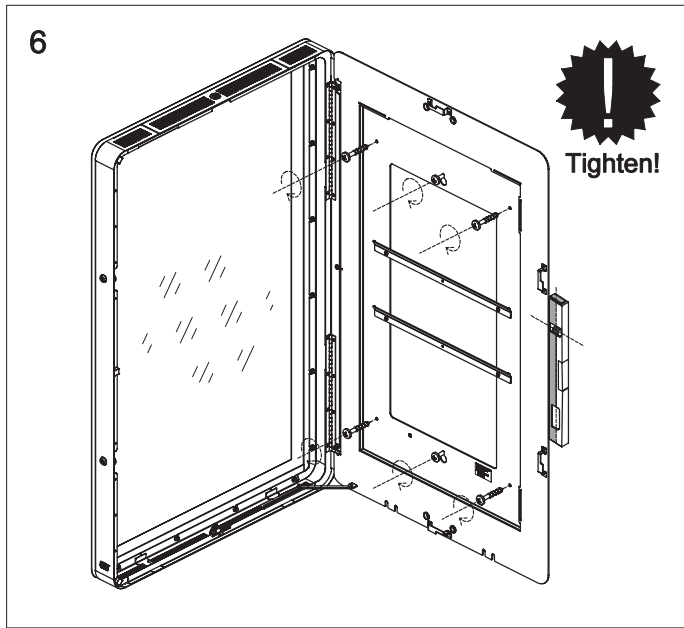
Key

1 Position Cabinet on the wall

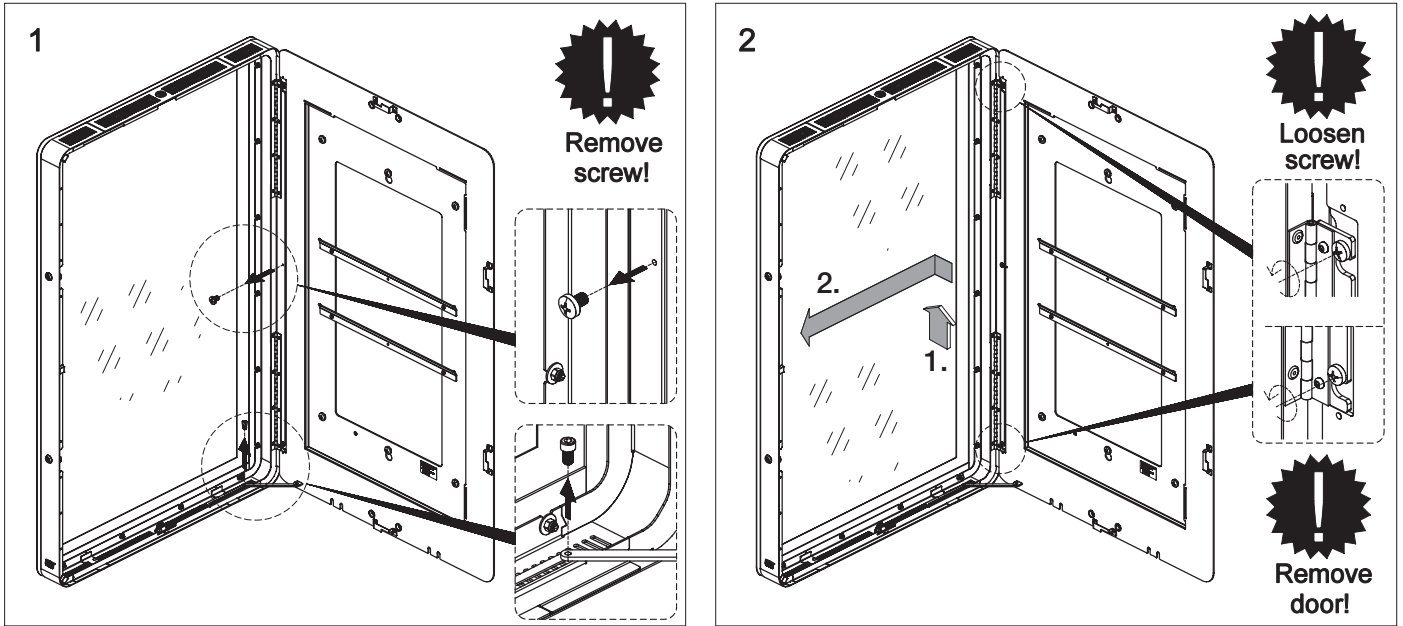
Mark the position

Follow Product Dimensions!

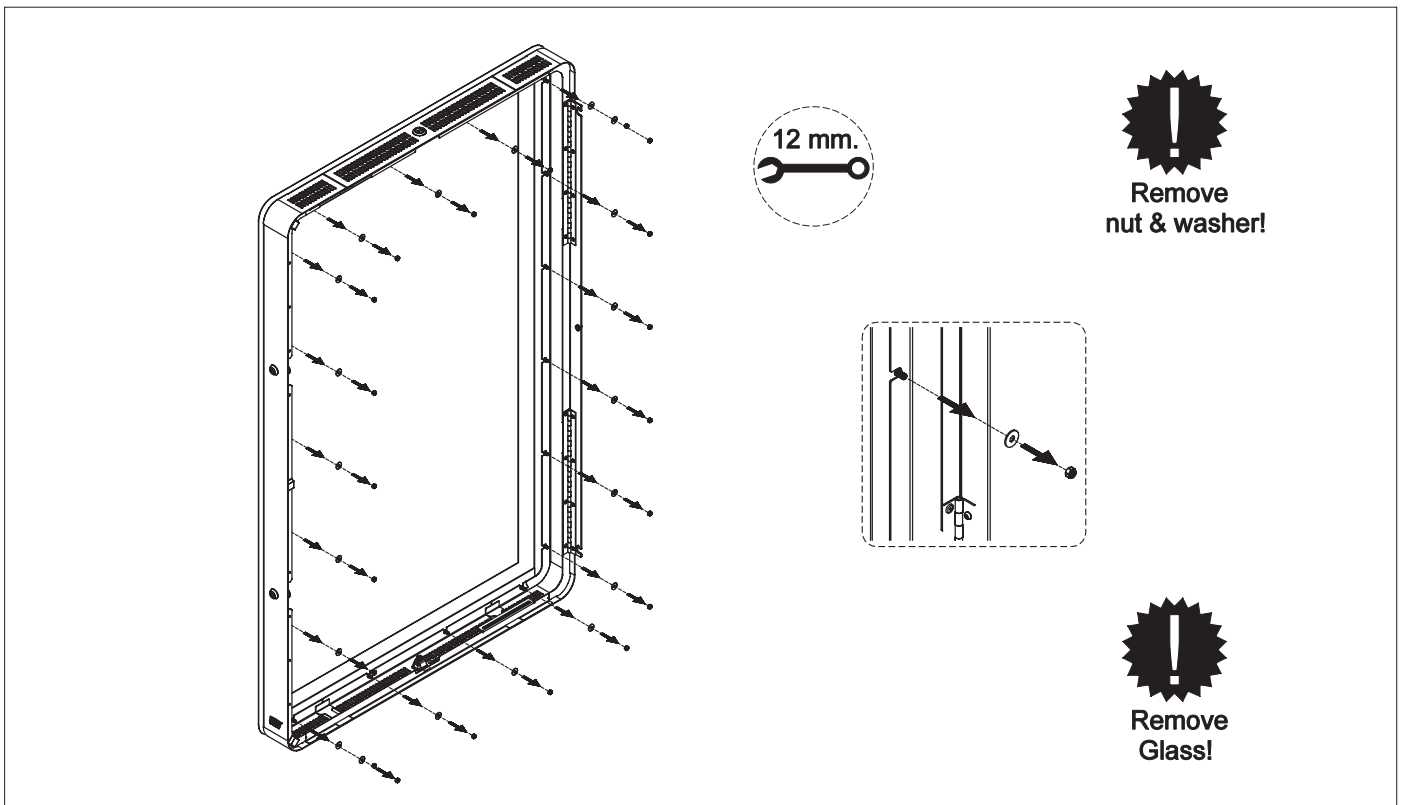




How to dismantle the door



How to remove the glass



Product Dimensions

